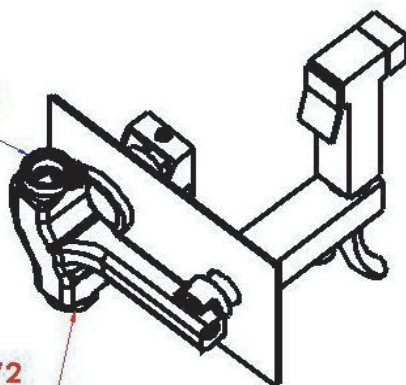


ACQUA FREDDA G1/2
COLD WATER

ACQUA CALDA G1/2
HOT WATER



MATERIALI / MATERIALS

OTTONE CROMATO / CHROME PLATED BRASS

CROMATURA / CHROME PLATING

UNI EN 248